

CA 1017 Thermocouple with adjustable flange

Protection tube

| | |
|---------------------------|--|
| Construction | Closed-end tube |
| Material | SS 316 - (Wst 1.4401) |
| Insert diameter | 9.0mm standard, other diameters possible |
| Insertion length | Customer to specify |
| Process connection | Adjustable flange |
| Flange size | Diameter 55 mm |

Connection head

| | |
|--------------------|--|
| Material | Aluminium, plastic or stainless steel |
| Cable entry | M20x1.5 cable gland standard, other threads possible |

Measuring insert

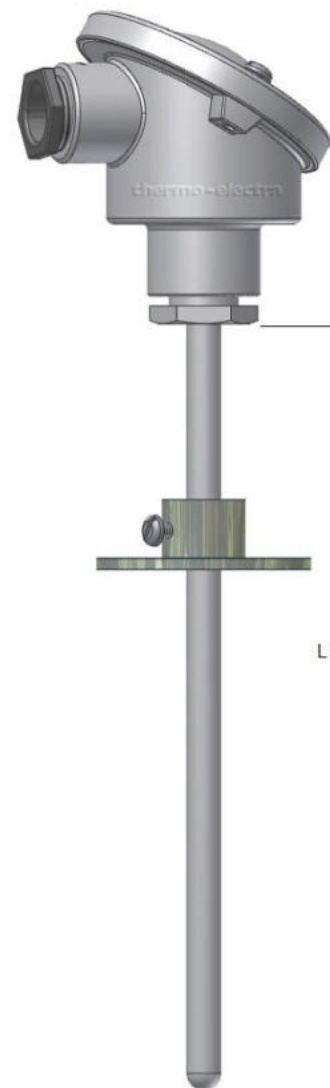
| | |
|---------------------|-------------------------|
| Type | MI 1025 |
| Construction | Replaceable springload |
| Diameter | 6.0mm |
| Length | $E = L + 35 \text{ mm}$ |
| Material | SS 316 - (Wst 1.4401) |

Thermocouple

| | |
|--------------------|------------------------------|
| Calibration | K, T, J, E, N, U or L |
| For duplex | KK, TT, JJ, EE, NN, UU or LL |
| Accuracy | According IEC 60584 |

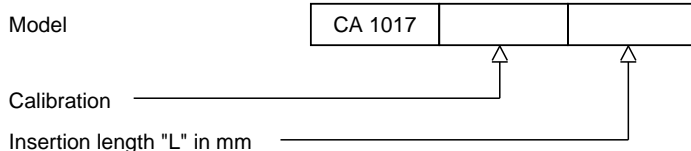
Options

| | |
|------------------------------|---|
| Transmitter 4-20mA | In-Head transmitter, standard or Ex version. Please select from our standard range or specify your own standard |
| Swing-Cover head | DAN, transmitter direct mounted on measuring insert |
| High Swing-Cover head | DAN-H, transmitter in cover, insert with ceramic block |



Ordering code

*This datasheet is purely indicative, build-up of model code may vary from this datasheet.



H1-1 Rev.0 7/07



thermo-electra
temperature sensor solutions

Thermo Electra B.V.
Weteringweg 10
2641KM Pijnacker
The Netherlands

Phone +31 (0)15 - 3621200
Fax +31 (0)15 - 3694082
Email sales@thermo.nl
http://www.thermo-electra.com

