

CA 2018 Industrial resistance thermometer

Protection tube

Construction	Closed-end tube
Material	SS 316 - (Wst 1.4401) standard, other materials possible
Diameter	10mm standard, other diameters possible
Insertion length	Customer to specify
Process connection	Adjustable compression fitting in stainless steel or mild steel
Process thread	1/2" BSP standard, other threads possible

Connection head

Material	Aluminium, plastic or stainless steel
Cable entry	M20x1.5 cable gland standard, other threads possible

Measuring insert

Type	MI 2025
Construction	Springloaded and replaceable
Diameter	6.0mm standard, other diameters possible
Length	$E = L + 35 \text{ mm}$
Material	Stainless steel standard, other materials possible

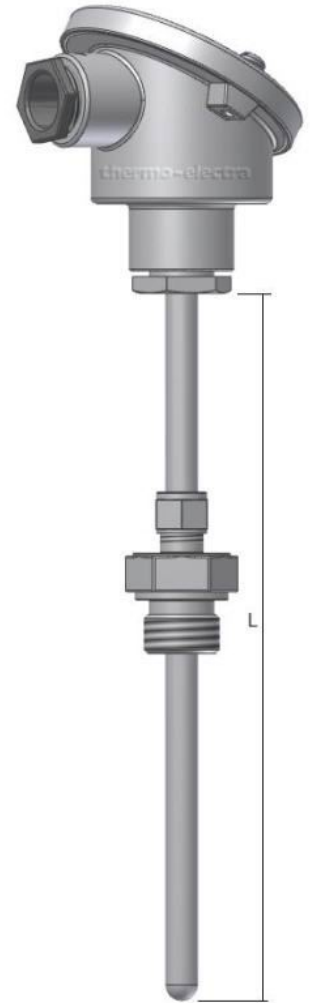
Sensor

Single or Duplex Pt100

Accuracy	According IEC 60751 Class B
Style / Connection	3-wire system standard, 4-wire system optional
Range	-220 / +600°C

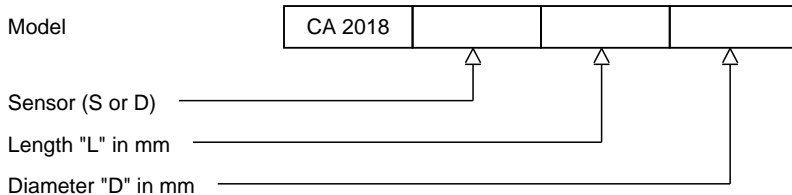
Options

Transmitter 4-20mA	In-Head transmitter, standard or Ex version. Please select from our standard range or specify your own standard
Swing-Cover head	DAN, transmitter direct mounted on measuring insert
High Swing-Cover head	DAN-H, transmitter in cover, insert with ceramic block



Ordering code

*This datasheet is purely indicative, build-up of model code may vary from this datasheet.



H2-1 Rev.0 7/07