

# FB 3160 Flanged protection tube according to DIN43772 Form 2F or 3F

## Fabricated tube well

<b>Design</b>	2F or 3F to DIN 43772
<b>Process connection</b>	Welded flange
<b>Material</b>	SS 316 - ( Wst 1.4401 )

## Instrument connection

<b>Free moving nut</b>	Male M24x1.5mm standard
<b>Welded nut</b>	Optional: Female nut 1/2

## Stem /Shrank

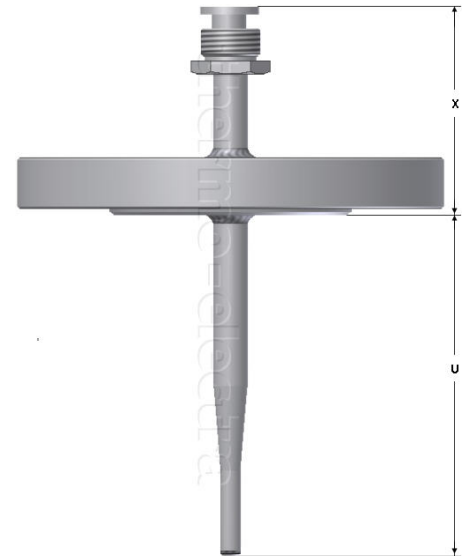
<b>Insertion length</b>	To specify
<b>DIN43772 Form 2F</b>	Straight over full length
<b>DIN43772 Form 3F</b>	Tip tapered over 50 mm to dia. 9.0 mm
<b>Inside diameter</b>	To suit 6.0mm or 8.0mm sensors

## Flange

<b>Size / Rating / Facing</b>	To specify
<b>Lagging</b>	2F = 80mm, 3F = 82mm

## Options

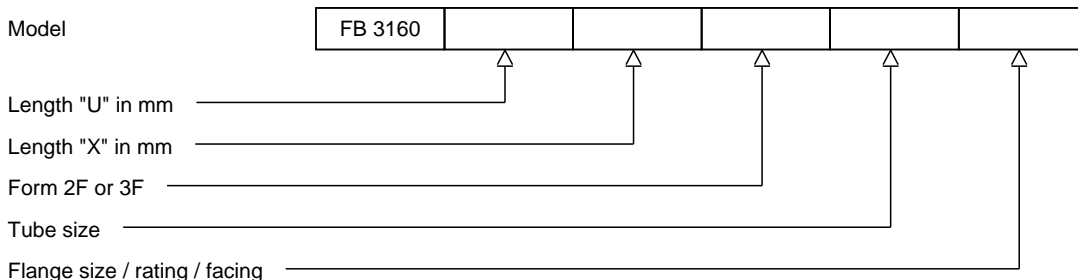
Other materials: Monel400, Hasteloy C276 or C4, Titanium Gr.II  
 Other dimensions  
 Tantalum protective jacket



Tube size	Sensor	Form
9 x 1 mm	6.0mm	2F or 3F
11 x 2 mm	6.0mm	2F or 3F
12 x 2.5 mm	6.0mm	2F or 3F
14 x 2.5 mm	8.0mm	2F or 3F
15 x 3 mm	8.0mm	2F or 3F

## Ordering code

\*This datasheet is purely indicative, build-up of model code may vary from this datasheet.



H3-1 Rev. 07/07

