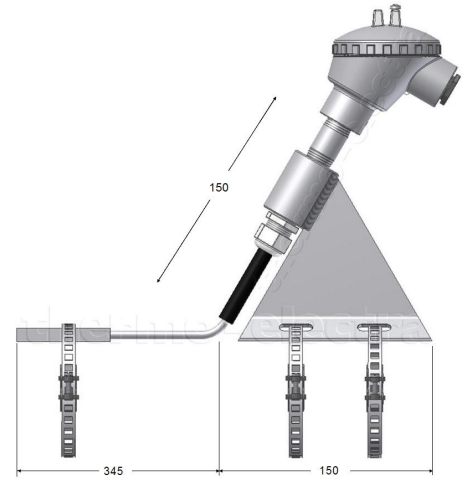


Sheath	
Construction	Mineral insulated (MgO)
Material	SS 316 standard
Diameter	6.0mm standard
Connection head	
Model	CE with screw cover or DAN with swing cover
Material	Cast aluminium
Cable gland	M20 x 1.5 included
Thermo-element	
Calibration	K, T, J, E, N, U or L
Accuracy	According IEC 584
Element length	Length " L " standard 525mm
Strap-on Sleeve	
Dimensions	70 x 14 x 14 mm
Material	SS 316
Bracket	
Mounting	With stainless steel clamps, included
Pipe diameter	To specify
Head extension	
Material	Stainless steel
Length metal part	70 mm
Options	
Certification	Atex explosion proof certified Exe, Exi or Exd
Transmitter 4-20mA	In-Head Transmitter, standard or ATEX Explosion proof. Please select from our standard range, see "transmitter" chapter, specify make, model and range.
Swing-Cover head	Transmitter direct mounted on measuring insert.



Thermokoppel kleurcodes

Thermocouple Extension Type	ANSI	IEC
JX + Iron - Constantan ®		
KX + Chromel ® - Alumel ®		
TX + Copper - Constantan ®		
EX + Chromel ® - Constantan ®		
NX + Nicrosil ® - Nisil ®		
SX + Copper RX - Alloy 11		
BX + Copper-S - Copper-E		

Toleranties volgens IEC 584-2

Type	Class	Temperature range	Fixed value °C	Tolerance to temp. t (°C)
T	1	- 40°C to + 350°C	± 0,5	± 0,004 · t
	2	- 40°C to + 350°C	± 1	± 0,0075 · t
	3	- 200°C to + 40°C	± 1	± 0,015 · t
E	1	- 40°C to + 800°C	± 1,5	± 0,004 · t
	2	- 40°C to + 900°C	± 2,5	± 0,0075 · t
	3	- 200°C to + 40°C	± 2,5	± 0,015 · t
J	1	- 40°C to + 750°C	± 1,5	± 0,004 · t
	2	- 40°C to + 750°C	± 2,5	± 0,0075 · t
	3	-	-	-
K and N	1	- 40°C to + 1000°C	± 1,5	± 0,004 · t
	2	- 40°C to + 1200°C	± 2,5	± 0,0075 · t
	3	- 200°C to + 40°C	± 2,5	± 0,015 · t
R and S	1	0°C to + 1600°C	± 1,0	± [1+0,003·(t-1100)]°C
	2	0°C to + 1600°C	± 1,5	± 0,0025·t
	3	-	-	-
B	1	-	-	-
	2	+ 600°C to + 1700°C	± 1,5	± 0,0025·t
	3	+ 600°C to + 1700°C	± 4	± 0,005·t

Ordering code

*This datasheet is purely indicative, build-up of model code may vary from this datasheet.

