

# DD 3040 Socket weld thermowell – stepped

## Thermowell

<b>Design</b>	Drilled bar stock (solid machined)
<b>Process connection</b>	Socket weld
<b>Welding diameter</b>	26.7mm, 33.4mm or 48.3mm
<b>Material</b>	SS 316 - (Wst1.4401)

## Stem / Shaft

<b>Wetted part</b>	Stepped
<b>Root diameter</b>	To specify
<b>Tip dimensions</b>	Length and diameter to specify
<b>Insertion length</b>	To specify
<b>Bore Size</b>	6.5 mm standard
<b>Excentricity</b>	< 1 micrometer
<b>Bottom thickness</b>	5 mm

## Connection length

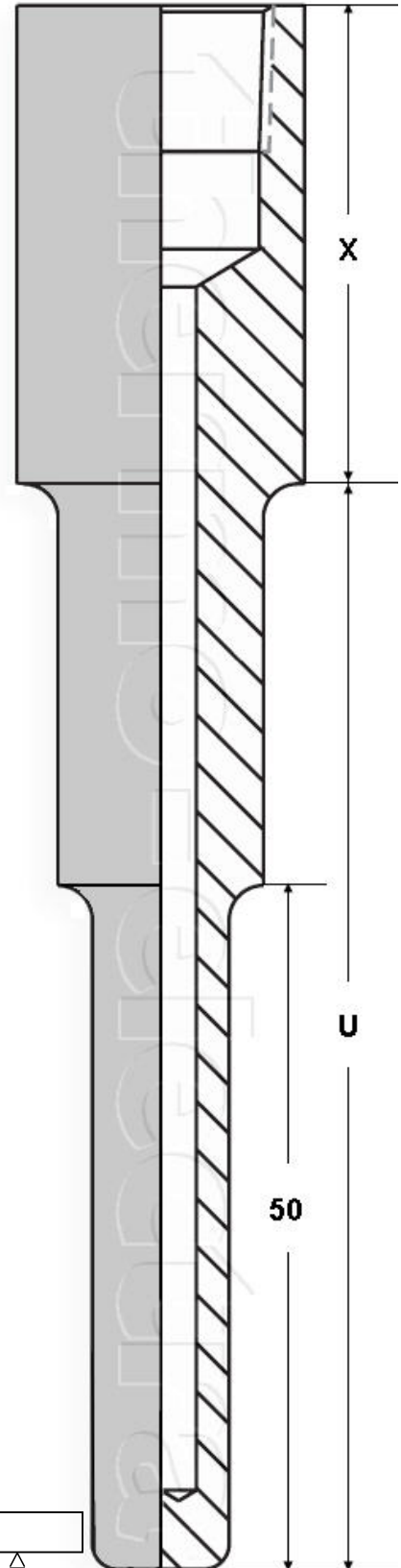
<b>Standard length</b>	50mm
------------------------	------

## Female connection

<b>Threaded</b>	1/2"NPT, 1/2"BSP, M20x1.5 or other threads possible
-----------------	---

## Options

- Other materials and dimensions
- Plug and chain for test well
- Protective coating, PTFE, Halar, Stellite etc.
- Tagging
- Wake frequency calculation



## Ordering code

\*This datasheet is purely indicative, build-up of model code may vary from this datasheet.

Model	DD 3040					
Diameter welding neck in mm	↑					
Root diameter in mm		↑				
Tip diameter in mm			↑			
"U" length in mm				↑		
"X" length in mm					↑	

H3-1 Rev.0 7/07



**thermo-electra**  
temperature sensor solutions

Thermo Electra B.V.  
Weteringweg 10  
2641KM Pijnacker  
The Netherlands

Phone +31 (0)15 - 3621200  
Fax +31 (0)15 - 3694082  
Email sales@thermo.nl  
http://www.thermo-electra.com

